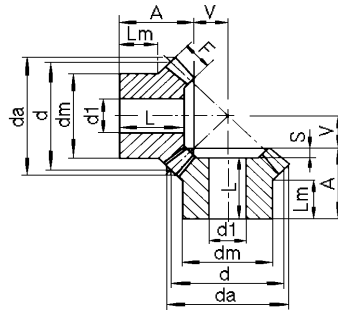


Koła stożkowe 1:1

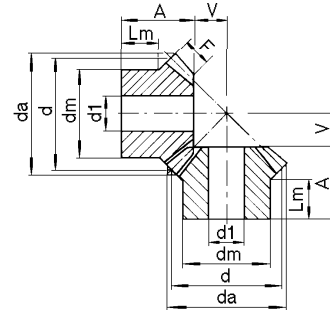
zęby proste, kąt przyporu 20°

Material

Stal C 43



Typ A



Typ B

Przełożenie 1:1

Kod	Moduł	Ilość zębów	Typ	d	da	F	A	V	dm	d1	L	S	Lm
T 43675	1	16	B	16.0	17.40	4.0	11.20	4.80	13.3	4	-	-	6.7
T 43676		19	B	19.0	20.40	4.0	11.80	6.20	15.3	4	-	-	6.6
T 43677		22	B	22.0	23.40	4.7	12.80	7.20	16.3	5	-	-	6.1
T 43678		26	B	26.0	27.40	5.5	13.30	8.70	20.3	5	-	-	7.0
T 43679		30	B	30.0	31.40	6.4	16.00	10.00	20.3	5	-	-	8.0
T 43604	1.5	16	A	24.0	26.10	8.0	18.00	5.80	18.0	8	17.00	1.0	8.9
T 43680		16	B	24.0	26.10	6.0	18.90	7.10	20.3	8	-	-	12.2
T 43681		19	B	28.5	30.60	7.0	21.30	8.70	20.3	8	-	-	11.6
T 43605		20	A	30.0	32.10	8.0	20.00	8.70	22.0	10	18.00	2.0	9.8
T 64693		22	A	33.0	35.10	8.0	20.00	10.20	25.0	10	18.00	2.0	9.7
T 43682		22	B	33.0	35.10	7.5	22.50	10.50	25.3	8	-	-	12.7
T 43606		25	A	37.5	39.60	8.0	23.00	12.40	28.0	10	21.00	2.0	12.0
T 43683		26	B	39.0	41.10	8.5	23.20	12.80	28.3	8	-	-	12.0
T 43607		30	A	45.0	47.10	10.0	25.00	14.70	30.0	12	22.50	2.5	12.0
T 43684		30	B	45.0	47.10	10.0	27.20	14.80	30.0	12	-	-	12.1
T 43608	2	16	A	32.0	34.80	9.0	20.00	8.80	25.0	10	17.00	3.0	9.3
T 43685		16	B	32.0	34.80	8.0	23.50	9.50	25.3	8	-	-	13.6
T 43686		19	B	38.0	40.80	9.0	24.20	11.80	25.3	8	-	-	12.0
T 43609		20	A	40.0	42.80	12.0	25.00	10.70	32.0	10	22.00	3.0	12.0
T 64694		22	A	44.0	46.80	12.0	25.00	12.70	36.0	10	22.00	3.0	17.7
T 43687		22	B	44.0	46.80	10.0	27.90	14.10	30.3	10	-	-	14.0
T 43610		25	A	50.0	52.80	14.0	28.00	14.30	40.0	12	25.00	3.0	12.3
T 43688		26	B	52.0	54.80	12.0	31.40	16.60	35.3	12	-	-	13.7
T 43611		30	A	60.0	62.80	16.0	30.00	17.80	50.0	12	27.00	3.0	12.8
T 43689		30	B	60.0	62.80	13.0	34.10	19.90	40.3	12	-	-	17.0
T 43612	2.5	16	A	40.0	43.50	10.0	25.50	11.80	32.0	12	22.00	3.5	13.3
T 43690		16	B	40.0	43.50	10.0	28.10	11.90	30.3	12	-	-	15.2
T 43691		19	B	47.5	51.00	11.0	27.10	14.90	35.3	12	-	-	13.0
T 43613		20	A	50.0	53.50	12.0	30.50	15.40	40.0	12	27.00	3.5	16.0
T 64695		22	A	55.0	58.50	12.0	30.50	17.80	45.0	12	27.00	3.5	15.9
T 43692		22	B	55.0	58.50	12.0	30.10	17.90	45.3	12	-	-	15.7
T 43614		25	A	62.5	66.00	15.0	33.50	19.50	50.0	15	30.00	3.5	16.0
T 43693		26	B	65.0	68.50	15.0	33.20	20.80	45.3	15	-	-	16.0
T 43615		30	A	75.0	78.50	18.0	35.50	23.60	55.0	15	32.00	3.5	16.0
T 43694		30	B	75.0	78.50	16.0	39.00	25.00	50.3	15	-	-	20.0
T 43616	3	16	A	48.0	52.20	12.0	30.00	14.20	40.0	15	26.00	4.0	16.2
T 43695		16	B	48.0	52.20	12.0	31.70	14.30	40.3	12	-	-	18.1
T 43696		19	B	57.0	61.20	13.0	36.00	18.00	40.3	14	-	-	17.1
T 43617		20	A	60.0	64.20	18.0	35.00	16.10	45.0	15	31.00	4.0	13.6
T 64696		22	A	66.0	70.20	18.0	35.00	19.00	50.0	15	31.00	4.0	13.0
T 43697		22	B	66.0	70.20	15.0	36.90	21.10	50.3	15	-	-	17.1
T 43618		25	A	75.0	79.20	20.0	38.00	22.10	55.0	15	34.00	4.0	16.0
T 43698		26	B	78.0	82.20	17.0	38.40	25.60	50.3	15	-	-	18.0
T 43619		30	A	90.0	94.20	22.0	40.00	28.10	60.0	20	36.00	4.0	19.0
T 43699		30	B	90.0	94.20	19.0	43.80	30.20	60.3	20	-	-	22.0

Rozmiary w mm.

UWAGA:

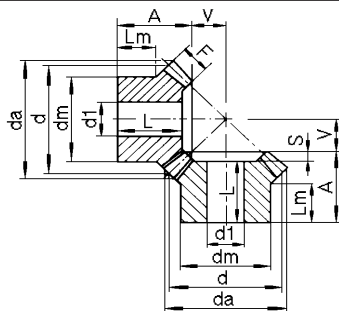
Koła stożkowe dostarczane są w parach.

Koła stożkowe 1:1

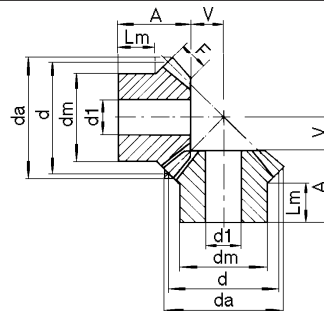
zęby proste, kąt przyporu 20°

Material

Stal C 43



Typ A



Typ B

Przełożenie 1:1

Kod	Moduł	Ilość zębów	Typ	d	da	F	A	V	dm	d1	L	S	Lm
T 43620	3.5	16	A	56.0	60.90	16.0	35.50	15.30	45.0	15	31.00	4.5	17.2
T 43700		16	B	56.0	60.90	14.0	36.40	16.60	45.3	15	-	-	19.8
T 43701		19	B	66.5	71.40	15.0	36.90	21.10	50.3	15	-	-	18.0
T 43621		20	A	70.0	74.90	22.0	40.50	18.10	55.0	15	36.00	4.5	19.0
T 64697		22	A	77.0	81.90	22.0	40.50	21.50	60.0	15	36.00	4.5	18.0
T 43702		22	B	77.0	81.90	17.0	39.10	24.90	55.3	20	-	-	18.0
T 43622		25	A	87.5	92.40	26.0	43.50	24.00	65.0	20	39.00	4.5	18.0
T 43703		26	B	91.0	95.90	20.0	42.20	29.80	60.3	20	-	-	20.0
T 43623		30	A	105.0	109.90	30.0	45.50	29.90	70.0	20	41.00	4.5	17.0
T 43704		30	B	105.0	110.00	23.0	47.30	34.70	70.3	20	43.00	-	22.0
T 43637	4	16	A	56.0	60.90	16.0	35.50	15.30	45.0	15	31.00	4.5	17.2
T 43705		16	B	64.0	69.70	15.0	44.30	19.70	50.3	15	-	-	25.1
T 43706		19	B	76.0	81.70	18.0	44.40	23.60	55.3	18	-	-	22.0
T 43638		20	A	70.0	74.90	22.0	40.50	18.10	55.0	15	36.00	4.5	19.0
T 64698		22	A	77.0	81.90	22.0	40.50	21.50	60.0	15	36.00	4.5	18.0
T 43707		22	B	88.0	93.70	20.0	45.90	28.10	60.3	18	-	-	22.0
T 43639		25	A	87.5	92.40	26.0	43.50	24.00	65.0	20	39.00	4.5	18.0
T 43708		26	B	104.0	109.70	23.0	48.00	34.00	70.3	20	43.00	-	22.0
T 43640		30	A	105.0	109.90	30.0	45.50	29.90	70.0	20	41.00	4.5	17.0
T 43709		30	B	120.0	125.70	26.0	54.20	39.80	80.3	25	49.00	-	25.0
T 43642	4.5	16	A	72.0	78.30	20.0	43.00	20.00	55.0	18	37.00	6.0	18.5
T 43710		16	B	72.0	78.40	17.5	46.30	21.70	55.3	18	-	-	25.0
T 43711		19	B	85.5	91.80	20.0	47.30	26.70	60.3	20	-	-	25.0
T 43644		20	A	90.0	96.30	28.0	48.00	23.50	65.0	20	42.00	6.0	18.0
T 64699		22	A	99.0	105.30	28.0	48.00	27.80	70.0	20	42.00	6.0	18.0
T 43712		22	B	99.0	105.30	22.0	50.10	31.90	70.3	20	-	-	25.0
T 43645		25	A	112.5	118.80	32.0	50.00	31.80	75.0	20	44.00	6.0	18.0
T 43713		26	B	117.0	123.30	25.0	53.20	38.80	75.3	20	45.00	-	25.0
T 43646		30	A	135.0	141.30	35.0	53.00	40.80	90.0	25	47.00	6.0	17.0
T 43714		30	B	135.0	141.40	29.0	60.00	45.00	80.3	25	54.00	-	28.0
T 43647	5	16	A	80.0	87.00	22.0	45.50	22.30	60.0	20	39.00	6.5	17.8
T 43715		16	B	80.0	87.10	18.0	48.90	25.10	60.3	20	-	-	25.0
T 43716		19	B	95.0	102.10	22.0	52.20	29.80	60.3	20	-	-	25.0
T 43648		20	A	100.0	107.10	30.0	50.50	26.80	70.0	20	44.00	6.5	18.5
T 64700		22	A	110.0	117.10	30.0	50.50	31.70	80.0	20	44.00	6.5	18.5
T 43717		22	B	110.0	117.10	24.0	58.20	35.80	80.3	20	52.00	-	30.0
T 43649		25	A	125.0	132.10	35.0	54.50	35.70	90.0	20	48.00	6.5	18.5
T 43718		26	B	130.0	137.10	29.0	62.70	42.30	80.3	20	57.00	-	30.0
T 43650		30	A	150.0	157.10	38.0	56.50	45.90	110.0	30	50.00	6.5	18.0
T 43719		30	B	150.0	157.10	32.0	68.90	50.10	80.3	30	63.00	-	35.0

Rozmiary w mm.

UWAGA:

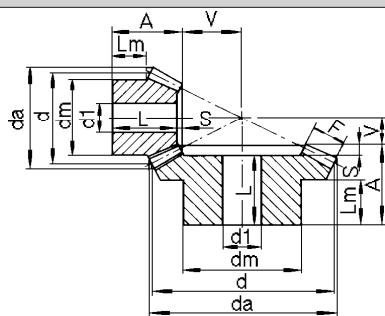
Koła stożkowa dostarczane są w parach.

Koła stożkowe 1:2

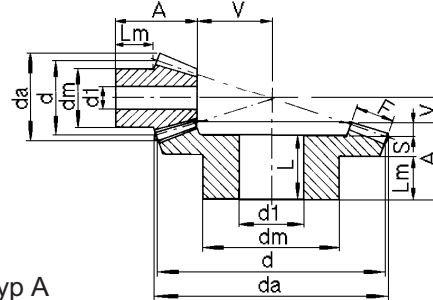
zęby proste, kąt przyporu 20°

Material

Stal C 43



Typ A



Typ B

Przełożenie 1:2

Kod	Moduł	Ilość zębów	Typ	d	da	F	A	V	dm	d1	L	S	Lm
T 43720	1	15	B	15.0	17.40	5.0	11.9	10.10	13.3	4	-	-	6.6
		30		30.0	30.60	5.0	15.1	4.90	20.3	5	14.0	1.1	9.0
T 43651	1.5	16	A	24.0	26.70	8.0	18.5	16.40	21.0	10	17.0	1.5	10.3
		32		48.0	49.30	8.0	20.0	7.50	32.0	12	17.5	2.5	10.0
T 43721	1.5	15	B	22.5	26.10	9.0	21.1	13.90	20.3	8	-	-	12.0
		30		45.0	45.90	9.0	25.2	6.80	32.3	8	23.0	2.2	16.0
T 43652	2	16	A	32.0	35.60	10.0	23.0	22.40	27.0	10	21.0	2.0	12.2
		32		64.0	65.80	10.0	25.0	10.20	40.0	12	22.0	3.0	10.0
T 43722	2	15	B	30.0	34.80	11.5	26.0	19.00	25.3	8	-	-	13.8
		30		60.0	61.20	11.5	29.8	9.20	40.3	12	27.0	2.8	18.0
T 43653	2.5	16	A	40.0	44.40	12.0	27.5	28.50	34.0	12	25.0	2.5	14.4
		32		80.0	82.20	12.0	30.0	13.00	50.0	15	26.5	3.5	15.0
T 43723	2.5	15	B	37.5	43.50	15.0	31.8	23.20	32.3	12	-	-	16.2
		30		75.0	76.50	15.0	33.7	11.30	45.3	15	30.0	3.7	20.0
T 43654	3	16	A	48.0	53.40	15.0	28.0	33.60	40.0	15	25.0	3.0	11.6
		32		96.0	98.70	15.0	35.0	15.40	60.0	15	30.5	4.5	15.0
T 43724	3	15	B	45.0	52.20	17.0	37.3	28.70	40.3	12	-	-	19.8
		30		90.0	91.80	17.0	42.1	13.90	55.3	15	38.0	4.1	25.0
T 43655	3.5	16	A	56.0	62.30	18.0	33.5	38.80	48.0	15	30.5	3.0	14.4
		32		112.0	115.10	18.0	40.0	17.70	70.0	20	35.0	5.0	19.0
T 43725	3.5	15	B	52.5	60.90	20.5	46.1	32.90	45.3	15	-	-	24.7
		30		105.0	107.10	20.5	45.0	16.00	60.3	20	40.0	5.0	25.0
T 43656	4	16	A	64.0	71.10	20.0	36.0	44.80	50.0	20	32.0	4.0	13.4
		32		128.0	131.60	20.0	45.0	20.50	80.0	20	39.5	5.5	23.0
T 43726	4	15	B	60.0	69.60	22.5	48.6	38.40	50.3	20	-	-	24.6
		30		120.0	122.30	22.5	57.3	18.70	80.3	20	52.0	5.3	35.0
T 43657	4.5	16	A	72.0	80.10	22.0	39.5	50.90	60.0	20	35.0	4.5	15.4
		32		144.0	148.00	22.0	50.0	23.20	80.0	25	43.5	6.5	24.0
T 43727	4.5	15	B	67.5	78.30	26.0	51.4	42.60	60.3	20	-	-	24.7
		30		135.0	137.60	26.0	60.3	20.70	80.3	25	53.0	7.3	35.0
T 43658	5	16	A	80.0	88.90	25.0	50.0	56.10	60.0	20	45.0	5.0	21.1
		32		160.0	164.50	25.0	55.0	25.60	85.0	25	48.0	7.0	27.0
T 43728	5	15	B	75.0	87.00	30.0	57.6	46.40	60.3	20	-	-	25.3
		30		150.0	152.90	30.0	62.5	22.50	80.3	25	56.0	6.5	35.0

Rozmiary w mm.

UWAGA:

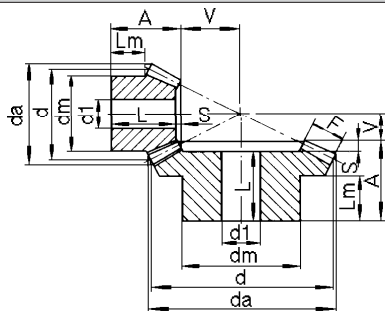
Koła talerzowe dostarczane są w parach.

Koła stożkowe 1:3

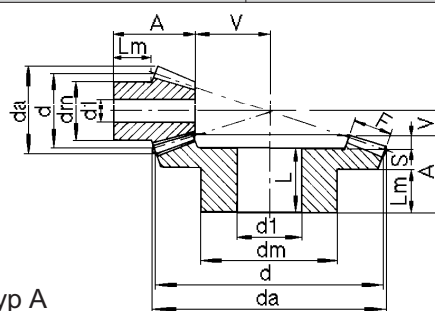
zęby proste, kąt przyporu 20°

Material

Stal C 43



Typ A



Typ B

Rozmiar 1:3

Kod	Moduł	Ilość zębów	Typ	d	da	F	A	V	dm	d1	L	S	Lm
T 43729	1	15	B	15.0	17.70	7.1	16.6	15.40	13.3	4	-	-	9.3
		45		45.0	45.30	7.1	17.1	4.90	25.3	8	15.0	2.1	10.0
T 43659	1.5	16	A	24.0	26.90	12.0	22.0	24.30	20.0	10	21.0	1.0	9.7
		48		72.0	72.90	12.0	22.0	7.20	42.0	15	19.0	3.0	12.0
T 43730	1.5	15	B	22.5	26.50	10.5	22.6	23.40	19.3	8	-	-	11.7
		45		67.5	68.10	10.5	29.6	7.40	45.3	14	27.0	2.6	20.0
T 43660	2	16	A	32.0	35.80	15.0	25.5	33.40	25.0	12	24.0	1.5	9.4
		48		96.0	97.30	15.0	26.0	9.90	50.0	15	22.0	4.0	13.0
T 43731	2	15	B	30.0	35.40	14.0	28.9	31.10	25.3	8	-	-	14.2
		45		90.0	90.80	14.0	32.1	9.90	45.3	15	29.0	3.1	20.0
T 43661	2.5	16	A	40.0	44.70	18.0	28.0	42.40	33.0	14	26.0	2.0	9.2
		48		120.0	121.60	18.0	32.0	12.60	60.0	20	27.0	5.0	16.0
T 43732	2.5	15	B	37.5	44.20	18.0	34.6	38.40	32.3	12	-	-	15.9
		45		112.5	113.40	18.0	39.7	12.30	60.3	20	36.0	3.7	25.0
T 43662	3	16	A	48.0	53.70	18.0	30.0	54.20	42.0	15	28.0	2.0	11.2
		48		144.0	145.90	18.0	38.0	16.10	65.0	20	32.0	6.0	19.0
T 43733	3	15	B	45.0	53.00	21.0	41.3	46.70	40.3	15	-	-	19.7
		45		135.0	136.10	21.0	47.2	14.80	60.3	20	42.5	4.7	30.0
T 43663	3.5	16	A	56.0	62.60	22.0	36.5	62.30	48.0	15	34.0	2.5	13.4
		48		168.0	170.20	22.0	44.0	18.50	75.0	20	37.0	7.0	23.0
T 43734	3.5	15	B	52.5	61.90	23.5	49.6	55.40	45.3	15	-	-	25.1
		45		157.5	158.80	23.5	54.4	17.60	80.3	20	49.0	5.4	35.0
T 43664	4	16	A	64.0	71.60	25.0	42.0	71.30	55.0	20	39.0	3.0	15.7
		48		192.0	194.50	25.0	50.0	21.20	85.0	22	42.0	8.0	27.0
T 43735	4	15	B	60.0	70.70	27.5	54.3	62.70	50.3	20	-	-	25.4
		45		180.0	181.50	27.5	57.0	20.00	80.3	22	51.0	6.0	35.0
T 43665	4.5	16	A	72.0	80.60	28.0	53.0	80.40	60.0	20	50.0	3.0	23.4
		48		216.0	218.80	28.0	58.0	23.90	90.0	25	49.0	9.0	27.0
T 43736	4.5	15	B	67.5	79.50	28.5	55.2	72.80	55.3	20	-	-	24.8
		45		202.5	204.20	28.5	63.9	23.10	90.3	25	57.0	6.9	40.0
T 43666	5	16	A	80.0	89.50	35.0	60.0	85.70	60.0	20	57.0	3.0	22.5
		48		240.0	243.10	35.0	65.0	25.50	100.0	28	55.0	10.0	35.0
T 43737	5	15	B	75.0	88.40	33.0	65.3	79.70	60.3	20	-	-	30.0
		45		225.0	226.90	33.0	66.7	25.30	90.3	28	59.0	7.7	40.0

Rozmiary w mm.

UWAGA:

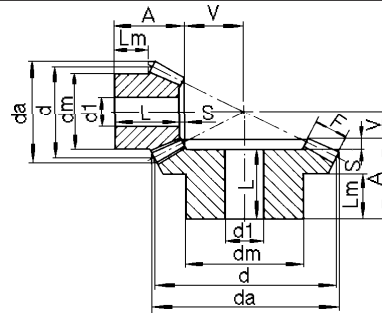
Koła talerzowe dostarczane w parach.

Koła stożkowe 1:4

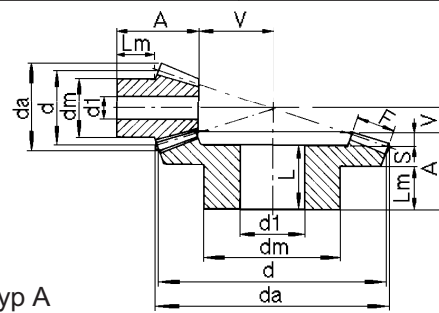
zęby proste, kąt przyporu 20°

Material

Stal C 43



Typ A



Typ B

Przełożenie 1:4

Kod	Moduł	Ilość zębów	Typ	d	da	F	A	V	dm	d1	L	S	Lm
T 43738	1	15	B	15.0	17.80	9.3	17.2	20.80	13.3	4	-	-	7.7
		60		60.0	60.30	9.3	17.1	4.90	30.3	8	15.0	2.1	10.0
T 43667	1.5	16	A	24.0	26.90	12.0	25.0	36.10	18.0	10	24.0	1.0	12.2
		64		96.0	96.70	12.0	25.0	8.00	60.0	15	22.0	3.0	13.0
T 43739	1.5	15	B	22.5	26.70	11.0	23.0	34.00	20.3	8	-	-	11.7
		60		90.0	90.40	11.0	34.0	8.00	50.3	15	31.0	3.0	25.0
T 43668	2	16	A	32.0	35.90	15.0	24.0	49.10	25.0	12	23.0	1.0	8.5
		64		128.0	129.00	15.0	28.0	10.90	70.0	20	24.0	4.0	14.0
T 43740	2	15	B	30.0	35.60	16.0	31.0	44.00	25.3	8	-	-	14.4
		60		120.0	120.60	16.0	37.6	10.40	60.3	16	34.0	3.6	25.0
T 43669	2.5	16	A	40.0	44.90	18.0	30.5	62.10	34.0	15	29.0	1.5	11.7
		64		160.0	161.20	18.0	35.0	13.80	80.0	20	30.0	5.0	16.0
T 43741	2.5	15	B	37.5	44.50	19.0	38.1	55.90	32.3	14	-	-	18.4
		60		150.0	150.70	19.0	44.8	13.20	60.3	20	40.0	4.8	30.0
T 43670	3	16	A	48.0	53.80	20.0	32.0	76.00	40.0	15	30.0	2.0	11.1
		64		192.0	193.40	20.0	42.0	16.80	90.0	20	36.0	6.0	22.0
T 43742	3	15	B	45.0	53.30	23.0	48.1	66.90	40.3	15	-	-	24.5
		60		180.0	180.80	23.0	53.2	15.80	80.3	20	48.0	5.2	35.0
T 43671	3.5	16	A	56.0	62.80	25.0	40.0	87.10	45.0	15	38.0	2.0	14.0
		64		224.0	225.70	25.0	50.0	19.30	100.0	25	43.0	7.0	22.0
T 43743	3.5	15	B	52.5	62.20	26.0	52.1	78.90	45.3	15	-	-	25.1
		60		210.0	211.00	26.0	60.4	18.60	90.3	25	54.0	6.4	40.0
T 43672	4	16	A	64.0	71.70	30.0	50.0	98.20	50.0	20	48.0	2.0	18.5
		64		256.0	257.90	30.0	60.0	21.80	110.0	28	52.	8.0	30.0
T 43744	4	15	B	60.0	71.10	30.0	55.1	89.90	50.3	20	-	-	23.8
		60		240.0	241.10	30.0	60.8	21.20	90.3	28	53.0	7.8	40.0
T 43673	4.5	16	A	72.0	80.70	32.0	55.0	112.10	60.0	20	53.0	2.0	21.6
		64		288.0	290.10	32.0	65.0	24.80	120.0	30	57.0	8.0	35.0
T 43745	4.5	15	B	67.5	79.90	34.0	59.1	100.90	60.3	20	-	-	24.1
		60		270.0	271.20	34.0	68.2	23.80	100.3	30	61.0	7.2	40.0
T 43674	5	16	A	80.0	89.70	35.0	60.0	125.10	65.0	20	58.0	2.0	23.2
		64		320.0	322.40	35.0	70.0	27.70	120.0	30	61.0	11.0	42.0
T 43746	5	15	B	75.0	88.80	38.0	68.1	111.90	70.3	20	-	-	29.4
		60		300.0	310.30	38.0	73.5	26.50	110.3	30	66.0	7.5	40.0

Rozmiary w mm.

UWAGA:

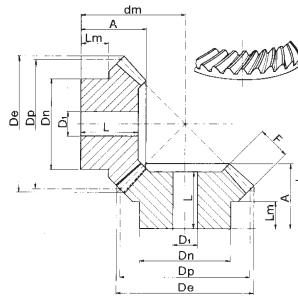
Koła talerzowe dostarczane są w parach.

Koła stożkowe 1:1

zęby spiralne, kąt przyproru 20°

Material

Stal C 43



Przełożenie 1:1

Kod	Moduł	Ilość zębów	De	Dp	A	F	Dn	D1	dm	L	Lm
F 03268	2	16	34.6	32	19.9	9	25	10	29	16.9	9.5
F 03269		20	42.6	40	24.9	12	32	10	36	21.7	12
F 03270		25	52.6	50	27.4	14	40	12	42	24.8	12
F 03271		30	62.6	60	29.9	16	50	12	48	26.9	13
F 03272	2.5	16	43.2	40	24.8	10	32	12	37	21.8	13
F 03273		20	53.3	50	30.2	12	40	12	46	26.7	16
F 03274		25	65.8	62.5	33.2	15	50	15	53	29.9	16
F 03275		30	78.3	75	35	18	55	15	59	31.8	16
F 03276	3	16	51.9	48	29.4	12	40	15	44	25.8	16
F 03277		20	63.9	60	34.5	18	45	15	51	30.7	13.5
F 03278		25	78.9	75	37.5	20	55	15	60	33.7	16
F 03279		30	93.9	90	39.5	22	60	20	68	35.8	19
F 03280	3.5	16	60.2	56	34.1	14	45	15	51	29.5	17.5
F 03281		20	74.2	70	35.9	15	55	15	59	31.2	19
F 03282		25	91.7	87.5	40.5	21	65	20	68	36.5	18
F 03283		30	109.2	105	41.9	24	70	20	76	37	17
F 03284	4	16	68.8	64	36	15	50	15	56	30.8	17
F 03285		20	84.8	80	37.5	17	60	18	64	32.5	18
F 03286		25	104.8	100	40.4	21	70	20	74	35.2	18
F 03287		30	124.8	120	43.2	25	80	25	84	38.1	16
F 03288	4.5	16	77.4	72	39.3	15	55	18	63	33.5	18.5
F 03289		20	95.4	90	42.8	20	65	20	72	36.5	18
F 03290		25	117.9	112.5	45	25	75	20	82	39	18
F 03291		30	140.4	135	48	28	90	25	94	42	17
F 03292	5	16	86	80	41.9	17	60	20	68	35.5	18
F 03293		20	106	100	44.7	21	70	20	78	37.7	18.5
F 03294		25	131	125	47.8	26	90	20	90	41.8	18.5
F 03295		30	156	150	52.5	32	110	30	103	45.7	18

Rozmiary w mm.

UWAGA:

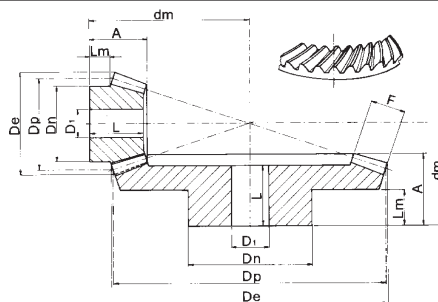
Koła stożkowe dostarczane są w parach.

Koła stożkowe 1:2, 1:3, 1:4

zęby spiralne, kąt przyproru 20°

Material

Stal C 43



Przełożenie 1:2

Kod	Moduł	Ilość zębów	De	Dp	A	F	Dn	D1	dm	L	Lm
F 03296	2	16	36.6	32	22.5	10	27	10	45	21	11.7
		32	65.0	64	24.1	10	40	12	35	21.5	10
F 03297	2.5	16	45.7	40	27.5	12	34	12	56	25.1	14.5
		32	81.3	80	29.2	12	50	15	43	25.9	15
F 03298	3	16	54.1	48	28.4	15	40	15	62	25.2	12
		32	97.5	96	34.6	15	60	15	51	29.8	15
F 03299	3.5	16	63.2	56	33.3	18	48	15	72	30.8	14
		32	113.8	112	39.1	18	70	20	58	34.1	19
F 03300	4	16	72.2	64	36.2	20	50	20	81	32.2	13.5
		32	130	128	44.2	20	80	20	66	38.7	23
F 03301	4.5	16	81.2	72	40.2	22	60	20	91	35.3	16
		32	146.2	144	49.2	22	80	25	74	42.4	24
F 03302	5	16	90.2	80	50	25	60	20	106	45.3	21
		32	162.5	160	53.7	25	85	25	81	46.8	27

Przełożenie 1:3

Kod	Moduł	Ilość zębów	De	Dp	A	F	Dn	D1	dm	L	Lm
F 03303	2	16	37.1	32	25.6	15	25	12	59	24	9.7
		48	96.6	96	25.2	15	50	15	36	21.4	13
F 03304	2.5	16	46.4	40	27.7	18	33	14	70	26.2	8.9
		48	120.8	120	31.4	18	60	20	45	26.3	16
F 03305	3	16	54.8	48	29.8	18	42	15	84	28.1	11
		48	145	144	36.6	18	65	20	54	31.1	19
F 03306	3.5	16	64	56	36.8	22	48	15	99	33.9	13.6
		48	169.1	168	43.1	22	75	20	63	36	23
F 03307	4	16	73.1	64	41.7	25	55	20	113	39.2	15.5
		48	193.3	192	49.2	25	85	22	72	40.9	27
F 03308	4.5	16	82.2	72	53.7	28	60	20	134	50.2	24
		48	217.4	216	56.2	28	90	25	82	47.6	27
F 03309	5	16	91.4	80	60.4	35	60	20	146	57.2	22.7
		48	241.6	240	63.6	35	100	28	91	53.6	35

Przełożenie 1:4

Kod	Moduł	Ilość zębów	De	Dp	A	F	Dn	D1	dm	L	Lm
F 03310	2	16	37.3	32	24	15	25	12	73	23.1	8.2
		64	128.5	128	27.2	15	70	20	39	23.3	14
F 03311	2.5	16	46.7	40	31	18	34	15	93	29.1	12.2
		64	160.6	160	34.2	18	80	20	49	29.2	16
F 03312	3	16	55.1	48	32.1	20	40	15	108	30.2	11
		64	192.7	192	40.9	20	90	20	59	35.1	22

Rozmiary w mm.

UWAGA:

Koła stożkowe dostarczane są w parach.